

Atlantis, a precious *wave*.

design Barlas Baylar
terzani.com



Product Name
Atlantis
large wall sconce

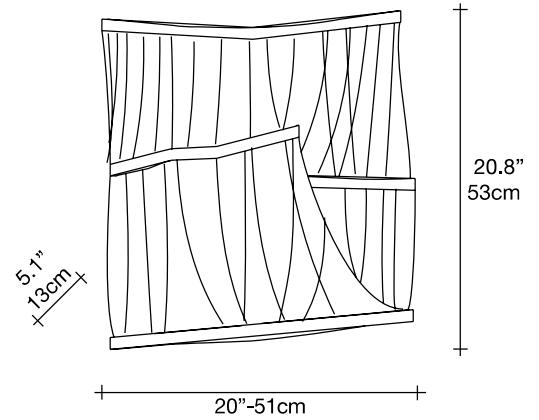
Materials
brass chains and metal
structure plated as below





Finishes | Code

-  nickel
OJ03A E7 C8
-  black nickel
OJ03A E9 C8
-  bronze
OJ03A F7 C8
-  gold
OJ03A L6 C8
-  champagne
OJ03A N1 C8
-  brushed champagne
OJ03A N7 C8

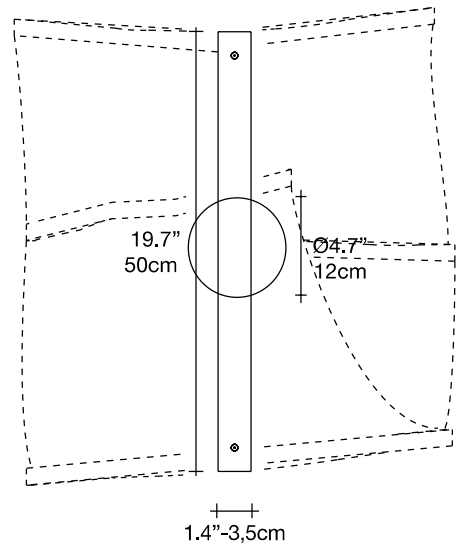
Body



Recommended Light
120V ~ 50/60Hz

-  LED
4 x 5.5W E12
- dimmable with**
-  all systems

Canopy



Seemingly alive, atlantis' shimmering light creates a vibrant source of energy. Its mesmerizing, organic effect is created by hundreds of illuminated lengths of draped, nickel chain. Like water in the ocean, atlantis' chains appear liquid, cascading over its gloss nickel bands and falling down towards the abyss before turning back into itself. Atlantis is composed of almost three miles of chain, meticulously hand-crafted by master italian artisans. Design Barlas Baylar.