

Harpe, the sound of *light*

design Christian Lava
terzani.com

TERZANI
LA LUCE PENSATA



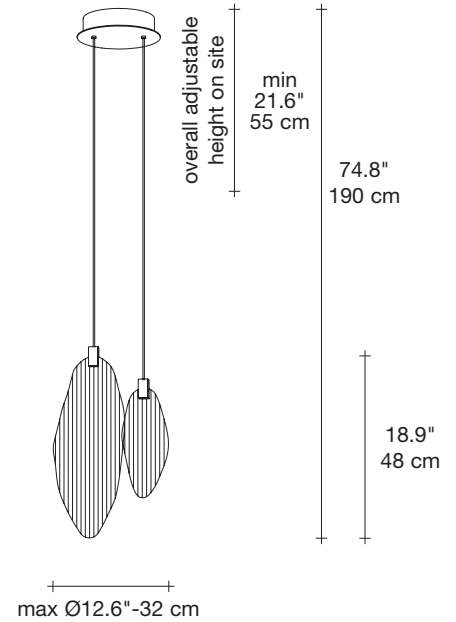
Name
Harpe
2 light pendant

Materials
metal



Finishes | Code

-  matte pearl
OW024S E8 B5 T
-  matte black nickel
OW024S E8 B6 T
-  matte red gold
OW024S E8 B8 T

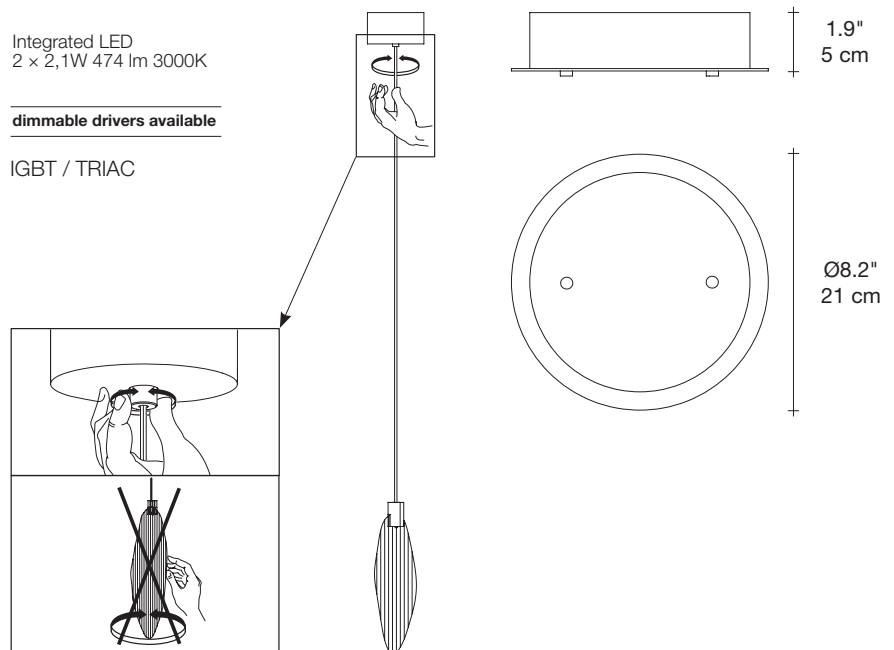
Body



Light source
700mA

-  Integrated LED
2 x 2,1W 474 lm 3000K
- dimnable drivers available**
-  IGBT / TRIAC

Canopy | white



The new Harpe collection comes from the childhood memory of its designer, Christian Lava. Like most children, he would look up into the sky and visualize shapes in the clouds as they passed by. His active imagination would run wild with the fantastic things that emerged. One day, Christian looked up into the sky only to see a gray, leaden blanket of clouds. However, against this blank canvas, a break in the sky appeared, and bright sunlight came streaming down in rays reminiscent of a harp. It's the memory of this divine instrument that inspired our latest pendant, Harpe. Made of metal, Harpe is available in three different shapes and sizes, and can be assembled in infinite combinations. Design Christian Lava.

Harpe, the sound of *light*

design Christian Lava
terzani.com



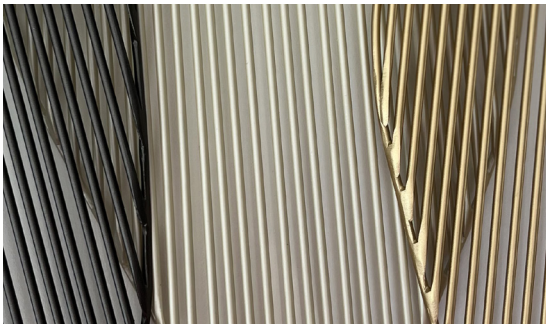
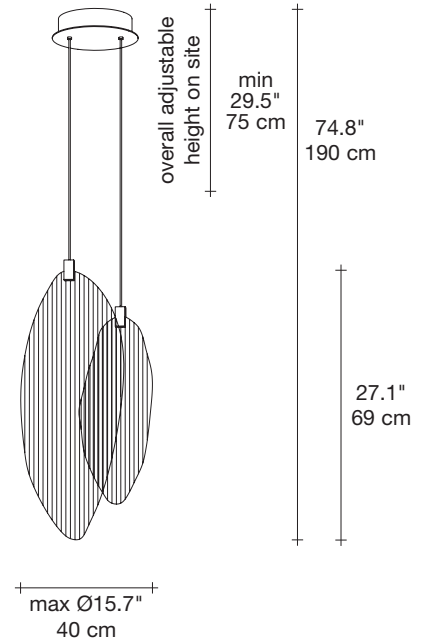
Name
Harpe
2 light pendant

Materials
metal



Finishes | Code

-  matte pearl
OW025S E8 B5 T
-  matte black nickel
OW025S E8 B6 T
-  matte red gold
OW025S E8 B8 T

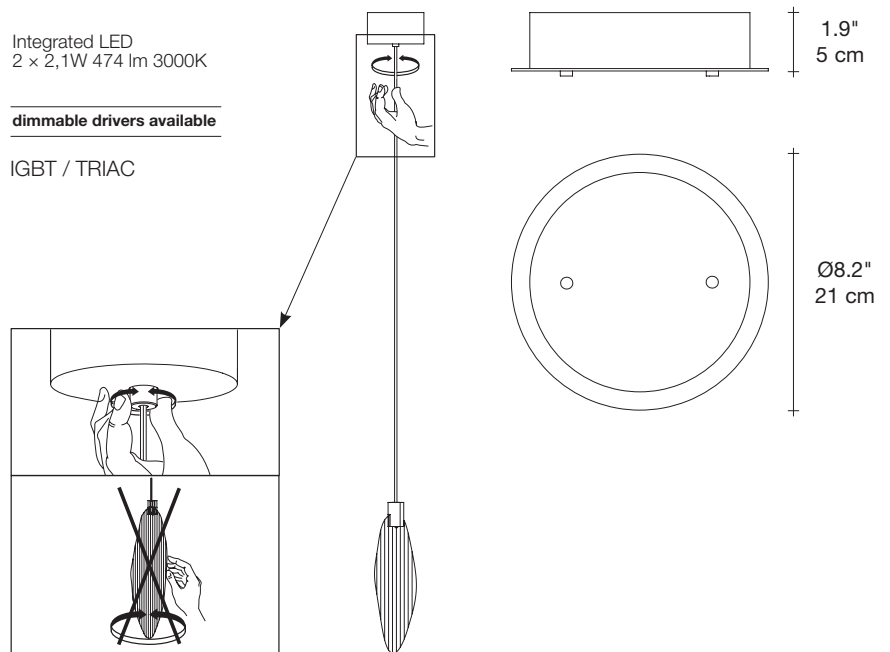
Body



Light source
700mA

-  Integrated LED
2 x 2,1W 474 lm 3000K
- dimable drivers available
-  IGBT / TRIAC

Canopy | white



The new Harpe collection comes from the childhood memory of its designer, Christian Lava. Like most children, he would look up into the sky and visualize shapes in the clouds as they passed by. His active imagination would run wild with the fantastic things that emerged. One day, Christian looked up into the sky only to see a gray, leaden blanket of clouds. However, against this blank canvas, a break in the sky appeared, and bright sunlight came streaming down in rays reminiscent of a harp. It's the memory of this divine instrument that inspired our latest pendant, Harpe. Made of metal, Harpe is available in three different shapes and sizes, and can be assembled in infinite combinations. Design Christian Lava.

Harpe, the sound of *light*

design Christian Lava
terzani.com

TERZANI
LA LUCE PENSATA



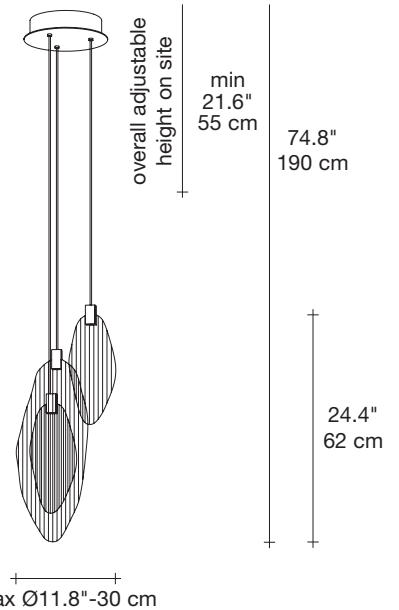
Name
Harpe
3 light pendant

Materials
metal



Finishes | Code

-  matte pearl
OW034S E8 B5 T
-  matte black nickel
OW034S E8 B6 T
-  matte red gold
OW034S E8 B8 T

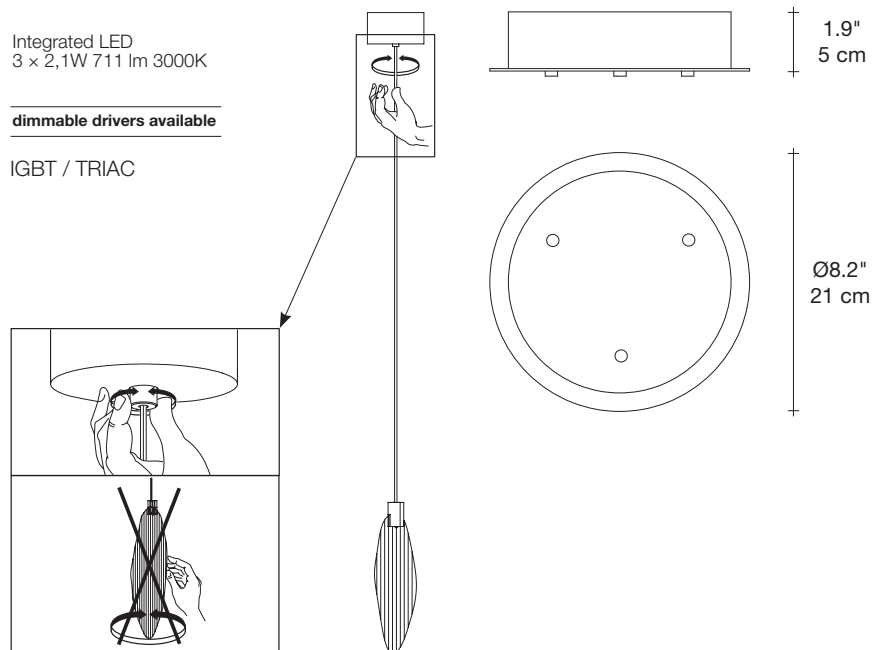
Body



Light source
700mA

-  Integrated LED
3 x 2,1W 711 lm 3000K
- dimnable drivers available**
-  IGBT / TRIAC

Canopy | white



The new Harpe collection comes from the childhood memory of its designer, Christian Lava. Like most children, he would look up into the sky and visualize shapes in the clouds as they passed by. His active imagination would run wild with the fantastic things that emerged. One day, Christian looked up into the sky only to see a gray, leaden blanket of clouds. However, against this blank canvas, a break in the sky appeared, and bright sunlight came streaming down in rays reminiscent of a harp. It's the memory of this divine instrument that inspired our latest pendant, Harpe. Made of metal, Harpe is available in three different shapes and sizes, and can be assembled in infinite combinations. Design Christian Lava.

Harpe, the sound of *light*

design Christian Lava
terzani.com

TERZANI
LA LUCE PENSATA



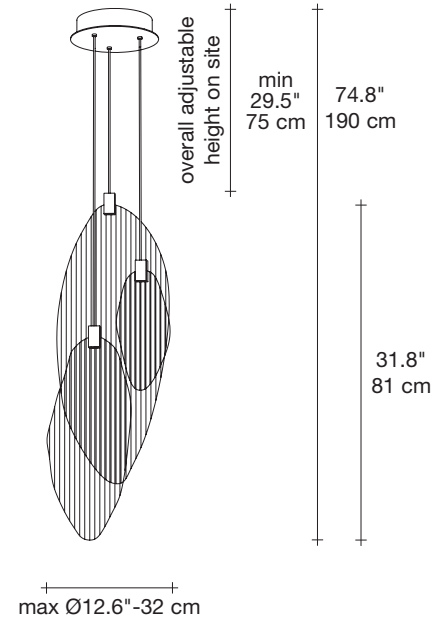
Name
Harpe
3 light pendant

Materials
metal



Finishes | Code

-  matte pearl
OW037S E8 B5 T
-  matte black nickel
OW037S E8 B6 T
-  matte red gold
OW037S E8 B8 T

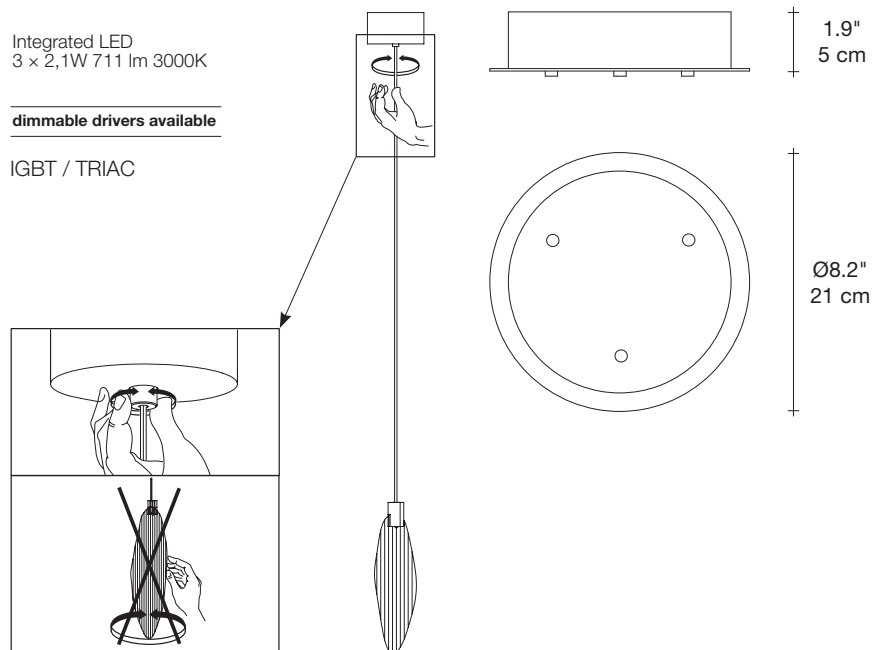
Body



Light source
700mA

-  Integrated LED
3 x 2,1W 711 lm 3000K
- dimable drivers available
-  IGBT / TRIAC

Canopy | white



The new Harpe collection comes from the childhood memory of its designer, Christian Lava. Like most children, he would look up into the sky and visualize shapes in the clouds as they passed by. His active imagination would run wild with the fantastic things that emerged. One day, Christian looked up into the sky only to see a gray, leaden blanket of clouds. However, against this blank canvas, a break in the sky appeared, and bright sunlight came streaming down in rays reminiscent of a harp. It's the memory of this divine instrument that inspired our latest pendant, Harpe. Made of metal, Harpe is available in three different shapes and sizes, and can be assembled in infinite combinations. Design Christian Lava.